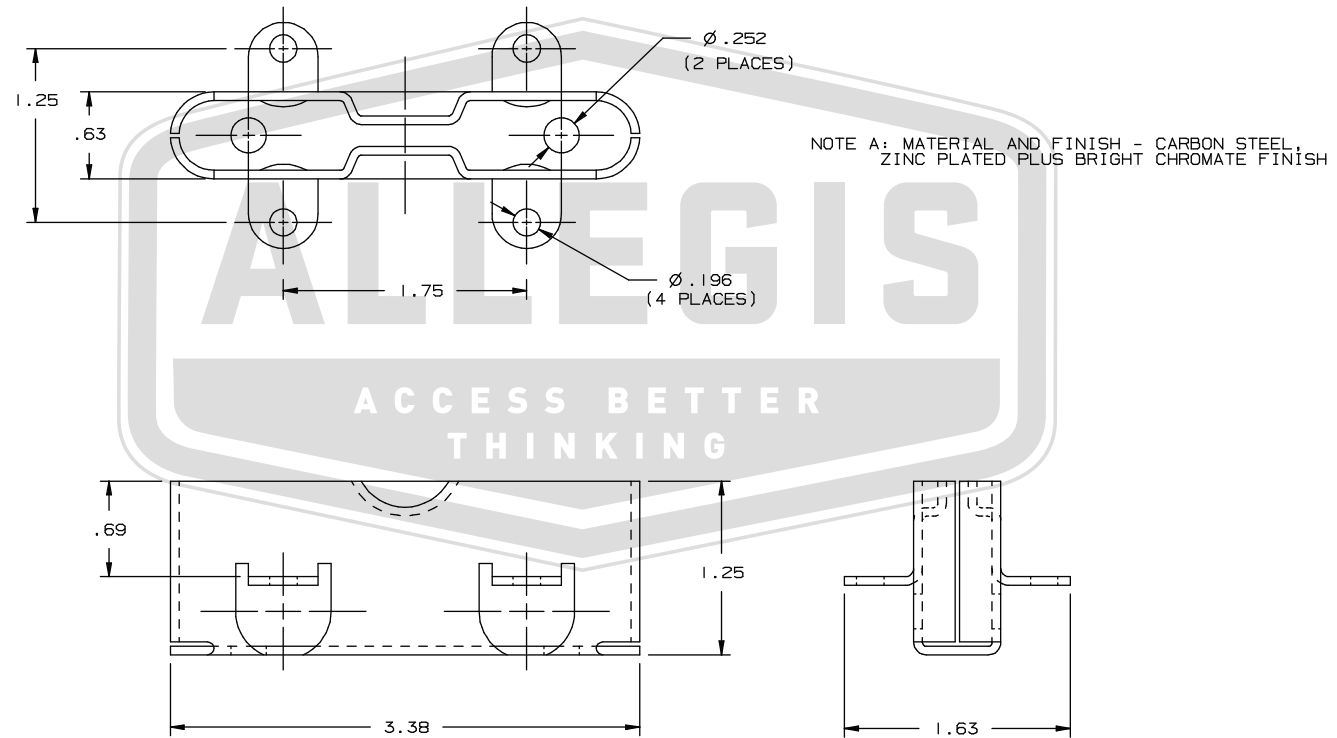


APPROVAL - CUSTOMER NAME & SIGNATURE

DATE

REV.	DATE	BY-CHKD	REVISIONS	NUMBER	MATERIAL	FINISH
A	07 JUN 96	MSB	PRN: R2-12	R2-0257-02	SEE NOTE A	SEE NOTE A



ALL DIMENSIONS ARE IN INCHES
ALL DIMENSIONS WITHOUT TOLERANCE ARE REFERENCE
THIRD ANGLE PROJECTION

ALLEGIS		1-866-378-7550
MATERIAL:	Steel	DRAWING NO. : R2-0257-02
FINISH:	Zinc Plate, bright chromate	
REV.:	1:1	DATE: 5/30/2019